

Digital to Analog Converter

DDA





Table of Contents

1. Introduction	2
2. Features	2
3. Model name	2
4. Panel Descriptions	3
5. Package contents	3
6. Installation	4
7. Specification	4
8. Precaution	5
9. Warranty	6
10. Contact us.....	7

This unique DVI converter transports your PC's DVI signal to analog graphic signal so that analog display devices without DVI output can be connected to your PC and laptop with DVI output easily and conveniently.

Features

- Input Connector : DVI 24pin-Single Link (female)
- Output Connector : 15pin D-sub (male)
- Compatible with DVI standard by DDWG
- External power supply is available
- Support up to WUXGA, 1080p resolution
- HDCP Compliant

Model Name

DDA



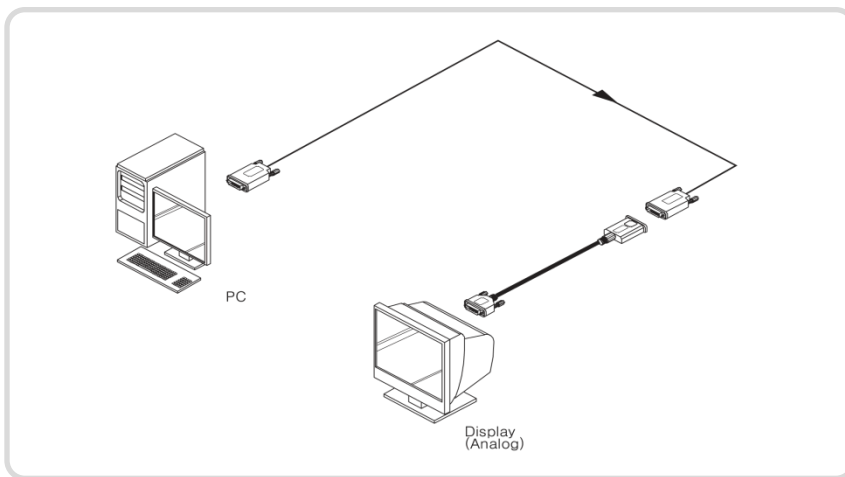
Package contents

Before you start installing DDA, please check the package contents.

- Digital to Analog Converter (DDA)
- User's Manual
- Power adapter(5V,2A) is optional (It's not included in the package)
-> If your source device does not supply enough power to DDA, you may need power supply. Please inform us before order.

Installation

1. Connect DVI source to the converter's DVI input using user supplied DVI cable.
2. Connect a monitor to the converter's VGA output.
3. Plug the external 5V DC power adapter **optionally**.



Specifications

- Connector
 - Input : DVI 24Pin (female)
 - Output : 15Pin D-sub (male)
- Video Bandwidth : 1.65Gbps (Single Link)
- Supporting Resolution : Up to WUXGA(1920x1200), 1080p
- Power Consumption : 1.8W (Max)
- Length : 350mm
- Power Adapter(+5V DC, 2A) is optional
- Environment
 - Operating Temperature Range : 0 to 50°C
 - Storage Temperature Range : -20 to 70°C

WARNING

- **Do not dismantle the housing or modify the product.**
Dismantling the housing or modifying the product may result in electrical shock or burn.
- **Refer all servicing to qualified service personnel.**
Do not attempt to service this product yourself as opening or removing housing may expose you to dangerous voltage or other hazards.
- **Keep the product away from liquids.**
Spilling into the housing may result in fire, electrical shock, or equipment damage. If an object or liquid falls/spills into the housing, unplug the product immediately.
Have the product checked by a qualified service engineer before using it again.
- **Do not touch the Product with wet hands.**
Touching the housing and plug with wet hands is dangerous and can cause electrical shock.

- We, OPHIT hereby warrant the final purchase of our product as follows.
- In the case of troubles on our products, please contact the shop purchased.

One(1) year limited warranty

Our customers have right to be served with free charge when there is trouble in this product during one(1) year from the day purchased.

Out of warranty services

When you request services (in the case of non manufacturing defect but the troubles by misuse), may served with charge of follows.

- Defects of products caused by accident , disaster.
- Damages of products caused by the customer's carelessness or mistaken application.
- Damages of products caused by the application of parts or products not supplied or sold by our company.
- Damages of products and related defects caused by not our staff or the man or group not nominated by us for services.



OPHIT CO., LTD.

www.ophit.com

Head office

908/301 Digital Empire II , 486 Sin-Dong, Youngtong-Gu,
Suwon-City, Kyunggi-Do 443-734, KOREA

TEL : +82-31-695-5543 FAX : +82-31-695-5545

E-mail : support@ophit.com

Factory

3F, Suntechnovil, 5-27, Mangpo-Dong, Youngtong-Gu,
Suwon-City, Kyunggi-Do 443-440, KOREA

TEL : +82-31-205-4191 FAX : +82-31-205-4197



Rev. 1.1

Copyright © 2011 OPHIT All right reserved