

# Optical Media Converter



## OMC-110X

The OMC-110x supports one 10/100 Base-Tx port over CAT5 twisted pair cable and one 100 Base-Fx interface to connection with optical fiber module to apply in 10/100 Base-Tx to 100Base-Fx converter application. It is compact, cost-effective, low dissipative, high reliable and stable.

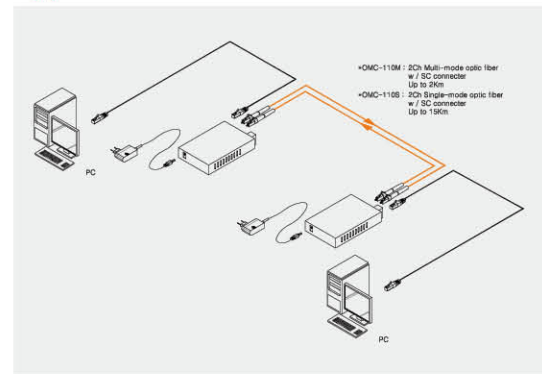
### Feature

- Complies with IEEE802.3 Standard
- Full and Half duplex with Auto-negotiation
- Supports MDI/MDI-X auto crossover
- Supports one RJ-45 for 10/100Base-Tx connection and one SC connector for 100Base-Fx connection
- Table-top and wall-mount design for standalone type
- Diagnostic LEDs : PWR ,FDX,LINK,ACT,10/100,COL
- Compact size
- Easy installation
- EMI & Safety : CE, FCC

### Specification

- Standard :Support 10Base-T, 100Base-Tx , 100Base-Fx and IEEE802.3 spec.
- Interface :SC connector using single mode or multi mode optic fiber, RJ-45 connector using UTP 100-ohm Cat. 5 Cable
- Power Supply : 100~240V DC 12V
- Power consumption : 3.5W (Max)
- Dimension : 94W x 70D x 26H (mm) / Weight : 230g

### Application



### Optical

- Multi - mode
- Single - mode



## OMC-1000X

OMC-1000x is fully compliant with IEEE802.3z & 802.3ab standards. This stand-alone converter allows you to connect Gigabit twisted-pair network to optical-fiber network easily and cost effectively to a maximum distance 10Km.

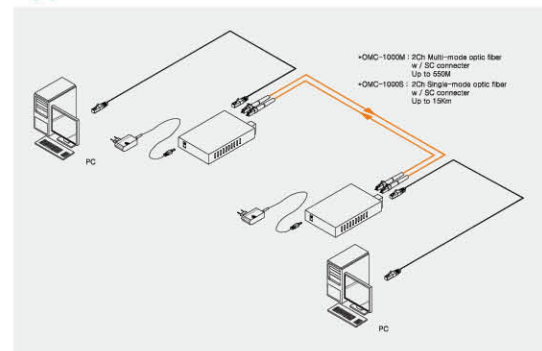
### Feature

- Complies with IEEE802.3z, 1000Base-SX / 1000Base-LX, IEEE802.3ab 1000Base-T
- 1000Base-SX interface for up to 550M (OMC-1000M : Multi-mode fiber 50um/125um)
- 1000Base-LX interface for up to 10km (OMC-1000S : Single mode fiber 9um/125um)
- Full-duplex supports for TP and fiber port
- Diagnostic LEDs : PWR, Tx , Rx, FDX, Speed, Fx-SD
- Compact size
- Easy installation
- CE, FCC

### Specification

- Standard : IEEE802.3z 1000Base-Sx 1000Base-Lx IEEE802.3ab 1000Base-T
- Interface : SC connector using single mode or multi mode optic fiber, RJ-45 connector using UTP 100-ohm Cat. 5 Cable
- Power Supply : 100~240V DC 12V, 1A
- Power consumption : 7.5W (Max)
- Dimension : 94W x 70D x 26H (mm) / Weight : 230g

### Application



### Optical

- 850nm Multi-mode
- 1310nm Single-mode

