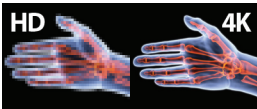


# 27" 4K Medical Display

## FM-A2701D FM-A2701DS

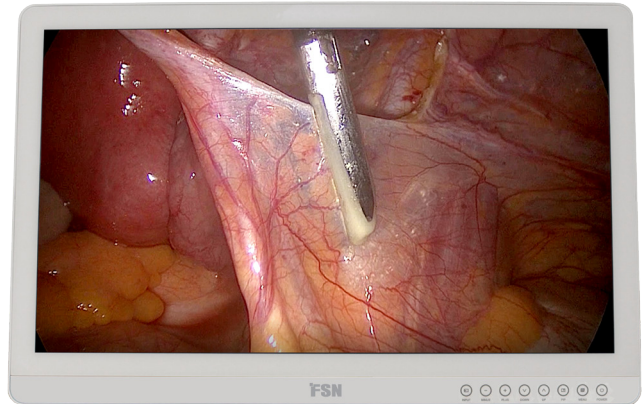


FM-A2701D and FM-A2701DS medical grade monitors are ideal for applications where high brightness, high color saturation, and super wide viewing angles are important. 4K UHD resolution delivers 4 times more pixels than a full HD display. This means that during surgery fine details become sharper and easier to identify.



### Screen Layout Control

FSN's OSD menu options have been designed to offer popular layout selections when two video signals are connected. Images can be viewed as picture-in-picture or picture-by-picture. They can be swapped, re-sized, or moved to a different position on the screen. Combined with its wide viewing angle, this monitor has the visualization features required in today's operating rooms.

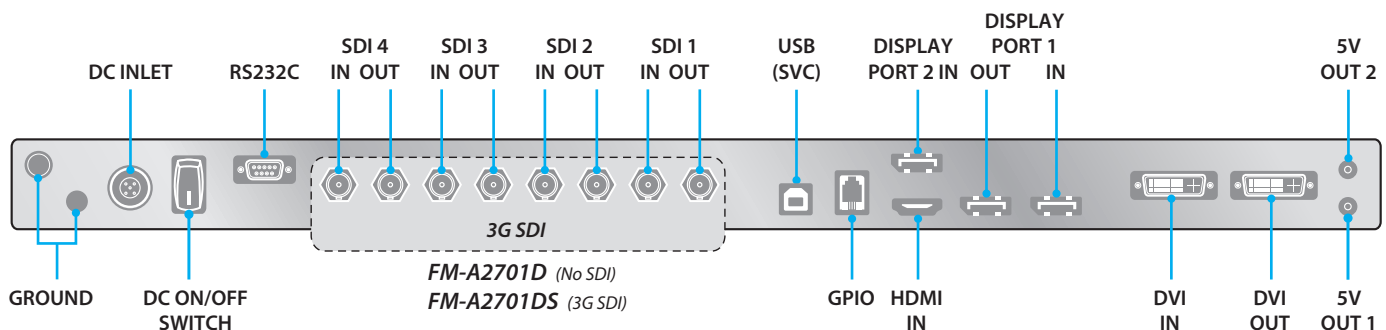


### Connectivity

FM-A2701D has video connections for HDMI, DisplayPort, and DVI. FM-A2701DS adds support for 3G SDI, which offers quad link formats as 2-sample interleave or square division, giving it an impressive selection of signal input capabilities. Like all FSN monitors, these models are designed for fast detection of incoming video, thanks to robust mode tables.

### OR-Friendly Design

The fanless housing design and edge-to-edge front glass allows this display to offer an ingress protection rating of 31. This means that potential dust and liquid entry points have been avoided. The touch menu controls are conveniently located in the lower right corner. Rounded bezel corners guard against accidental contact injuries when boom arm mounted in the operating room at head level.



[www.fsnmed.com](http://www.fsnmed.com)

Foreseeson Custom Displays, Inc.  
2210 E. Winston Road  
Anaheim, CA 92806 USA  
Tel: 714-300-0540  
Fax: 714-300-0546

Latin America  
Aventura, FL 33180 USA  
Tel: 714-507-3855

Foreseeson Korea  
404B, PangyoInnovalley B  
253 Pangyo-ro  
Bundang-gu Seongnam-si  
Gyeonggi-do, Korea 463-400  
Tel: +82-31-8018-0780  
Fax: +82-31-8018-0786

Foreseeson GmbH  
Industriestrasse 38a  
63150 Heusenstamm, Germany  
Tel: +49 6104 64398 0  
Fax: +49 6104 64398 11

Foreseeson UK Ltd.  
Unit 71 Barwell Business Park  
Leatherhead Road  
Cheshington, Surrey KT9 2NY  
Tel: +44 (0) 208 546 1047

Foreseeson (Shanghai)  
Medical Equipment Co., Ltd.  
Room 307, 3F  
No. 56, 461 Hongcao Road  
Caohejing Development District  
Xuhui, Shanghai 200233  
Tel: 86-21-6113-4188

# 27" 4K Medical Display

## FM-A2701D FM-A2701DS

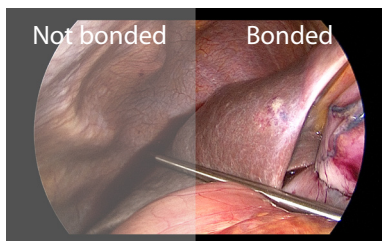
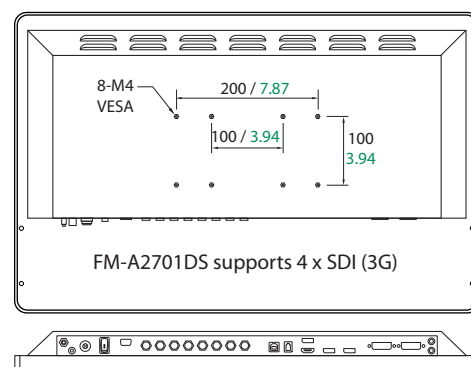
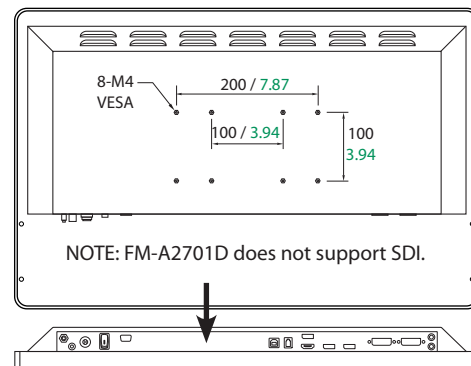
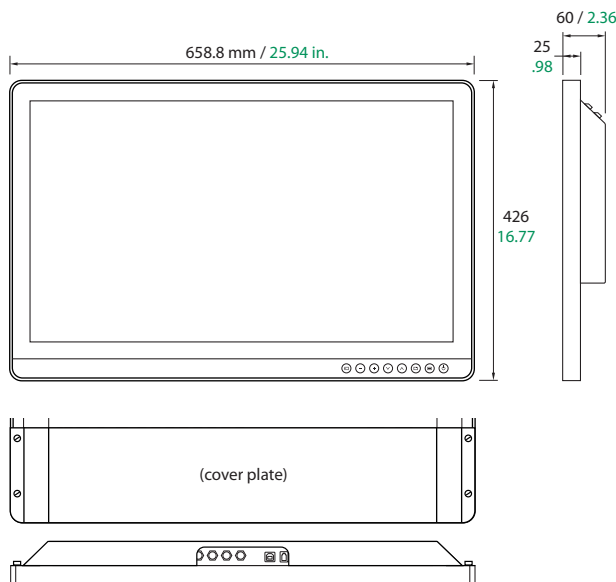


# Specifications

### General Features

Item	Description
Panel	27 inch TFT LCD (LED)
Resolution	3840 x 2160 pixel
Aspect Ratio	16 : 9
Active Area	596.74 (H)mm x 335.66 (V)mm
Pixel Pitch (mm)	0.1554 x 0.1554
Response Time (typical)	14 ms (gray to gray)
Number of Colors	1.07 Billion
Brightness (typical)	800 cd/m <sup>2</sup>
Gamut	BT.709 and BT.2020 compatible
Contrast Ratio (typical)	1000 : 1
Surface Treatment	Anti-glare
Viewing Angle (CR>10)	R/L 178°, U/D 178°
Input Signal	1 x HDMI 2.0
	2 x DP 1.2 (SST)
	1 x DVI (single link)
	4 x SDI (3G) available only on FM-A2701DS
Output Signal	1 x DVI (single link)
	1 x DP 1.2 (SST)
	4 x SDI (3G) available only on FM-A2701DS

Item	Description
Power Supply	AC/DC Adaptor (AC 100~240V, DC 24V/6.6A)
Power Consumption	FM-A2701D 90W max FM-A2701DS 110W max
Accessories Included	User manual, AC-DC adaptor, AC power cord, DP cable, HDMI cable, DVI-D cable, BNC cable (SDI models), Screw BH M4 x 14
Unit Dimension	658.8(W) x 426(H) x 60(D) mm 25.94(W) x 16.77(H) x 2.36(D) inch
Package Dimension	755.65(W) x 654.05(H) x 234.95(D) mm 29.75(W) x 25.75(H) x 9.25(D) inch
IP Rating	IP30 - overall, IP43 - front side only
IK Rating	IK07 with 5H AR glass
Weight	FM-A2701D 8.18 kg, 18.03 lbs. (monitor with cover) 13.19 kg, 29.08 lbs. (shipping package)
	FM-A2701DS 8.8 kg, 19.4 lbs. (monitor with cover) 13.81 kg, 30.45 lbs. (shipping package)
Certifications	ANSI/AAMI ES60601-1(UL60601-1), CAN/CSA C22.2 No. 60601-1, FCC Class B, EN60601-1, EN60601-1-2, CE, MDD(93/42/EEC) Class I Medical Device



FSN's optical bonding process (right) improves contrast ratio and brightness, and increases humidity resistance and breakage resistance.

FSN Medical Technologies products meet RoHS2 and Registration, Evaluation, Authorisation and Restriction of Chemicals (REACH) obligations. FSN manages the information flow as required by regulations.