

27" 4K Medical Display

FM-B2702D FM-B2702DG

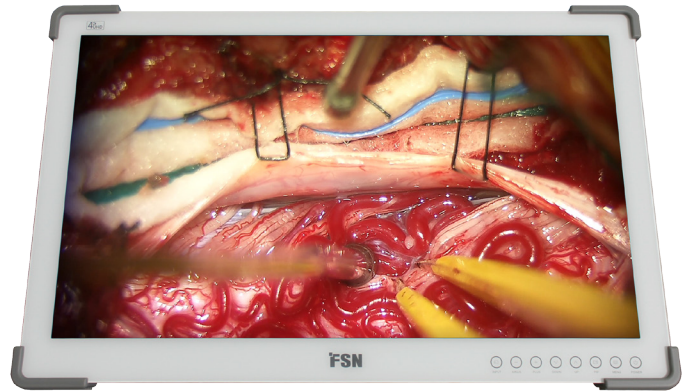


More Pixels, Sharper Images

FSN's 27 inch 4K UHD medical grade display monitor shows 4 times more pixels compared to a conventional HD monitor. This allows fine details to be seen during minimally invasive procedures such as endoscopy or laparoscopy. This monitor will accept multiple video signals, and has layout options for PIP and PBP. When two images are displayed, they can be swapped, re-sized, or moved to a different section of the screen

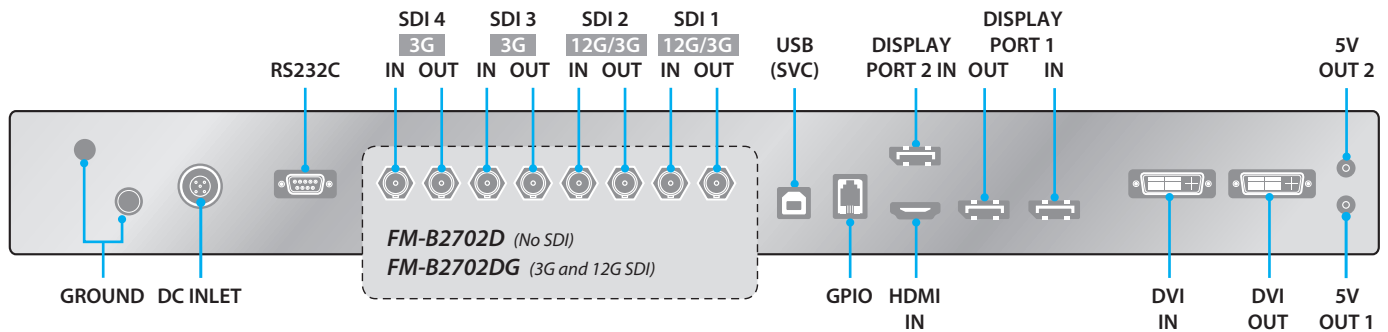
Choice of Video Inputs

This monitor comes in two configurations. FM-B2702D has video connections for HDMI, DisplayPort, and DVI. FM-B2702DG adds support 3G and 12G SDI, giving it the ultimate in current and future video signal compatibility. 3G SDI offers quad link formats as 2-sample interleave or square division. FSN monitors are designed for fast detection of incoming signals thanks to robust mode tables.



Attention to Ergonomic Detail

Unique design features include flush-front glass (ingress protection 33 rating) and touch menu control for easy cleaning and disinfection. There are no recessed areas on the front screen, thus eliminating collection points for unwanted material. These monitors come with built in protective bumpers on the bezel corners to guard against accidental contact injuries when boom arm mounted in the operating room at head level.



www.fsnmed.com

Foreseeson Custom Displays, Inc.

2210 E. Winston Road
Anaheim, CA 92806 USA
Tel: 714-300-0540
Fax: 714-300-0546

Latin America
Aventura, FL 33180 USA
Tel: 714-507-3855

Foreseeson Korea

404B, PangyoInnovalley B
253 Pangyo-ro
Bundang-gu Seongnam-si
Gyeonggi-do, Korea 463-400
Tel: +82-31-8018-0780
Fax: +82-31-8018-0786

Foreseeson GmbH

Industriestrasse 38a
63150 Heusenstamm, Germany
Tel: +49 6104 64398 0
Fax: +49 6104 64398 11

Foreseeson UK Ltd.

1 Wolsey Road
East Molesey
Surrey
KT8 9EL
United Kingdom
Tel: +44 (0) 208 546 1047

Foreseeson (Shanghai)

Medical Equipment Co., Ltd.
Room 307, 3F
No. 56, 461 Hongcao Road
Caohejing Development District
Xuhui, Shanghai 200233
Tel: 86-21-6113-4188

27" 4K Medical Display

FM-B2702D FM-B2702DG

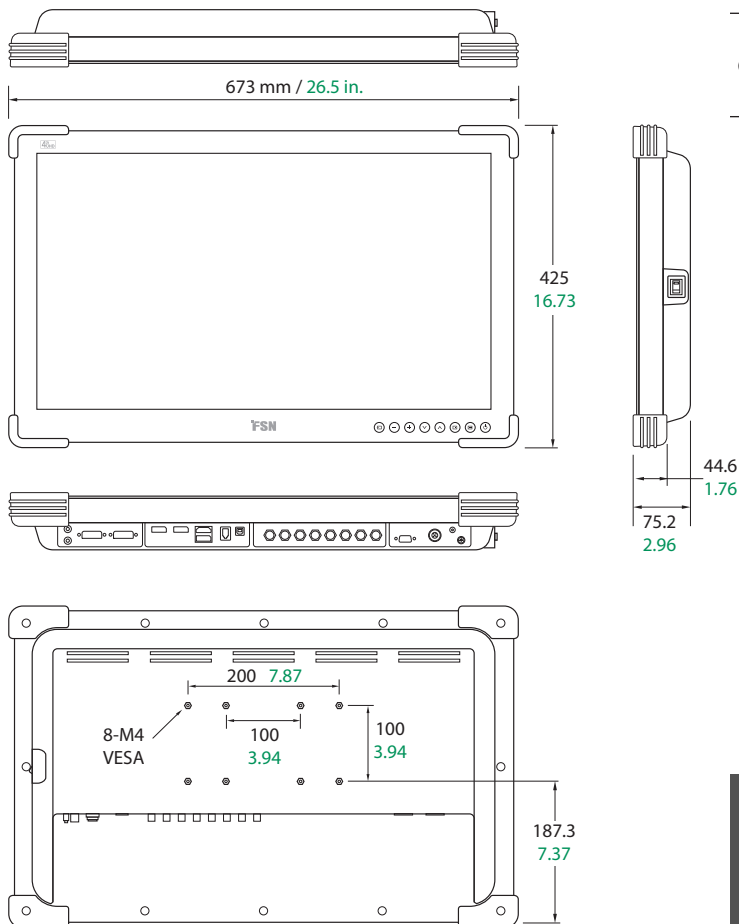


Specifications

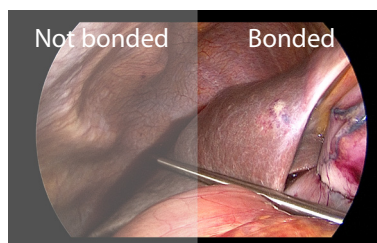
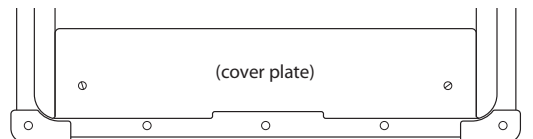
General Features

| Item | Description |
|--------------------------|--|
| Panel | 27 inch TFT LCD (LED) |
| Resolution | 3840 x 2160 pixel |
| Aspect Ratio | 16 : 9 |
| Active Area | 596.74 (H)mm x 335.66 (V)mm |
| Pixel Pitch (mm) | 0.1554 x 0.1554 |
| Response Time (typical) | 11 ms (rise time) |
| Number of Colors | 1.07 Billion |
| Brightness (typical) | 800 cd/m ² |
| Gamut | BT.709 and BT.2020 compatible |
| Contrast Ratio (typical) | 1400 : 1 |
| Surface Treatment | Anti-glare |
| Viewing Angle (CR>10) | R/L 178°, U/D 178° |
| Input Signal | 1 x HDMI 2.0 2 x DP 1.2 (SST) 1 x DVI (single link) 4 x SDI (3G), 2 x SDI (12G) available on FM-B2702DG |

| Item | Description |
|----------------------|---|
| Output Signal | 1 x DP 1.2 (SST) 1 x DVI (single link) 4 x SDI (3G), 2 x SDI (12G) available on FM-B2702DG |
| Power Supply | AC/DC Adaptor (AC 100~240V, DC 24V/6.6A) |
| Power Consumption | FM-B2702D 85W FM-B2702DG 100W |
| Accessories Included | User manual, AC-DC adaptor, AC power cord, DP cable, HDMI cable, DVI-D cable, BNC cable (SDI models), Screw BH M4 x 14 |
| Unit Dimension | 673(W) x 425(H) x 75.2(D) mm 26.50(W) x 16.73(H) x 2.96(D) inch |
| Package Dimension | 755.65(W) x 654.05(H) x 234.95(D) mm 29.75(W) x 25.75(H) x 9.25(D) inch |
| IP Rating | IP33 - overall, IP44 - front side only |
| IK Rating | IK07 with 5H AR glass |
| Weight | FM-B2702D 8.73 kg, 19.25 lbs. (monitor with cover) 13.45 kg, 29.65 lbs. (shipping package) FM-B2702DG 9.2 kg, 20.28 lbs. (monitor with cover) 14.1 kg, 31.09 lbs. (shipping package) |
| Certifications | ANSI/AAMI ES60601-1(UL60601-1), CAN/CSA C22.2 No. 60601-1, FCC Class B, EN60601-1, EN60601-1-2, CE, MDR(EU) 2017/745 Class I Medical Device |



NOTE: FM-B2702D, shown above, does not support SDI.
Other drawings show FM-B2702DG (3G and 12G SDI support).



FSN's optical bonding process (right) improves contrast ratio and brightness, and increases humidity resistance and breakage resistance.

FSN Medical Technologies products meet EU RoHS Directive 2011/65/EU+2015/863/EU and Registration, Evaluation, Authorisation and Restriction of Chemicals (REACH) obligations. FSN manages the information flow as required by regulations.